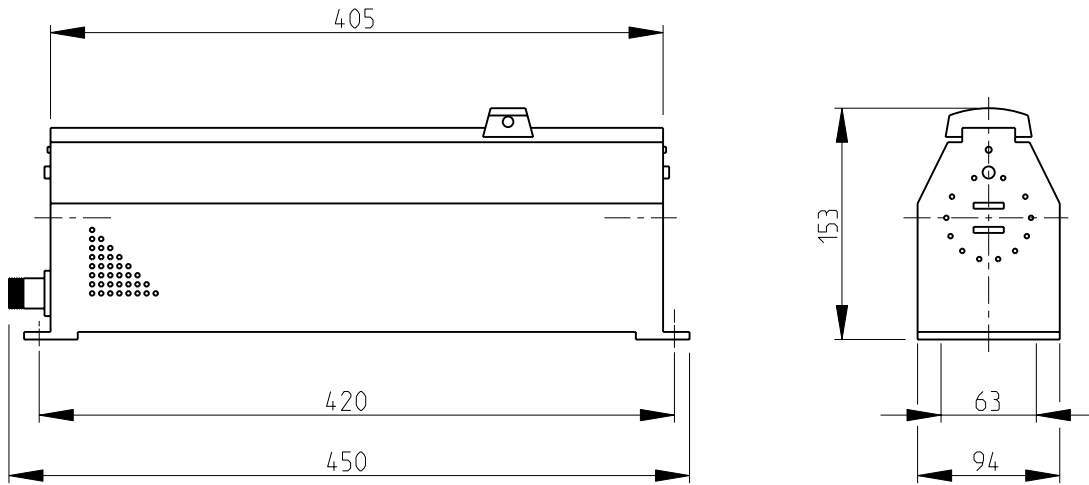
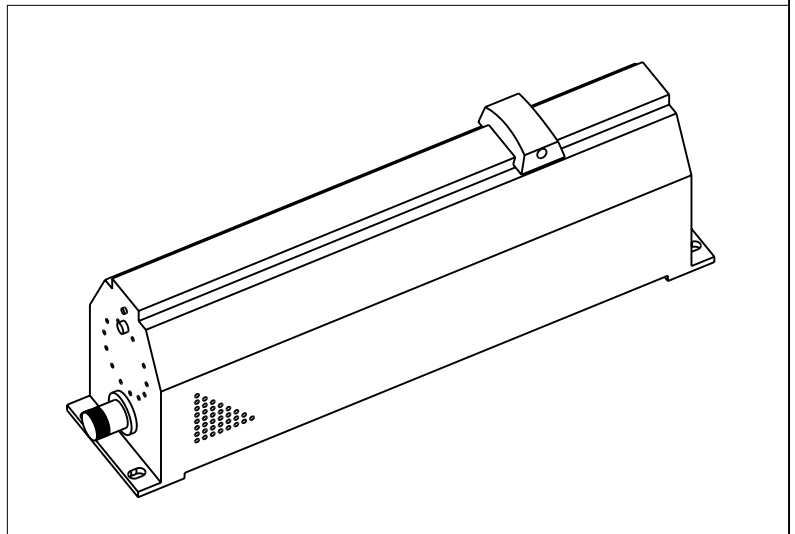


LOC	DIST	REVISIONS			
P	LTR	DESCRIPTION	DATE	DWN	APVD
E	B	A1	REVISED PER ECO-11-005150	29MAR2011	RK HMR

FOR FURTHER INFORMATION SEE DATA SHEET FOR BFA SERIES-HIGH POWER RESISTORS



RoHS Compliant



2008


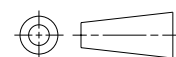
RELEASED FOR PUBLICATION

ALL RIGHTS RESERVED.

THIS DRAWING IS UNPUBLISHED.

BY -

© COPYRIGHT 2008

DIMENSIONS: mm	DWN SUBHASH.M	17-NOV-08	MATERIAL	-	FINISH	-	
	CHK PRAKASH.S	17-NOV-08	 TE Connectivity				
TOLERANCES UNLESS OTHERWISE SPECIFIED:	APVD STEPHEN.P	17-NOV-08					
	0 PLC ±0.5	PRODUCT SPEC	NAME HIGH POWER RESISTORS SERIES BFA				
1 PLC ±0.2	APPLICATION SPEC						
2 PLC ±0.1		SIZE	CAGE CODE	DRAWING NO	RESTRICTED TO		
3 PLC ±		A 4	00779	©-1625807	-		
4 PLC ±		CUSTOMER DRAWING				SCALE	1:5
ANGLES ±5°	WEIGHT	-	SHEET		1	OF	1
			REV		A1		